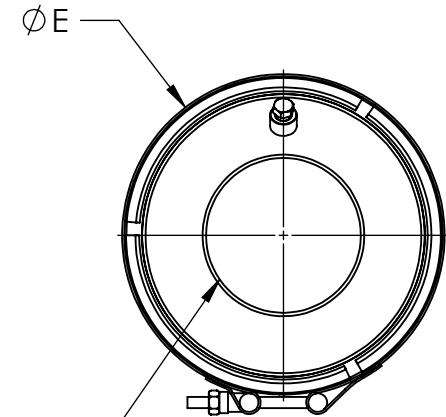
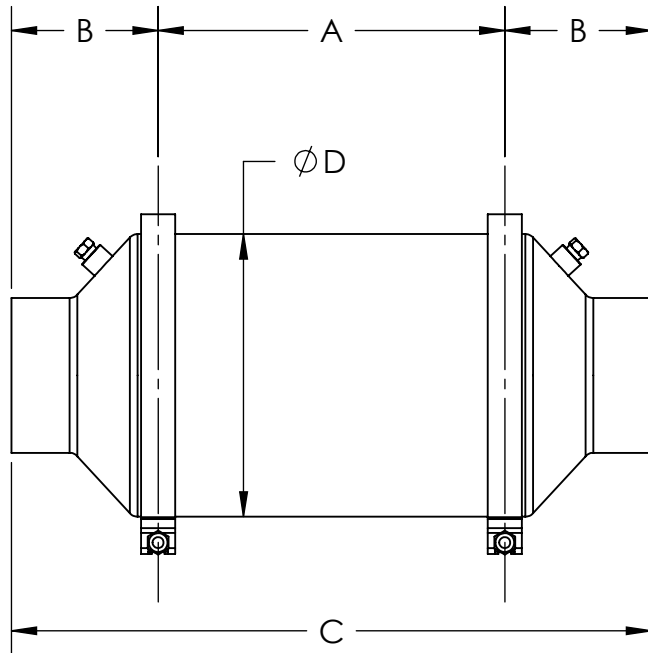


NOTES:
(1) APPROXIMATE MAXIMUM HP LIMITS. PLEASE CALL THE SALES OFFICE FOR FURTHER INFORMATION
(2) FINISH: FLAT BLACK HIGH HEAT PAINT

REVISIONS				
ZONE	REV.	DESCRIPTION	DATE	APPROVED



INLET AND OUTLET DIA. ARE AVAILABLE IN 2.0", 2.25", 2.5", 2.75", 3.0", 3.5" AND 4.0" ID. OTHER SIZES IN IMPERIAL, METRIC, NPT PIPE AND ANSI FLANGES ARE AVAILABLE UPON REQUEST.

MODEL	A	B	C	D	E	MAX HORSEPOWER	CATALYTIC EXHAUST PRODUCTS LIMITED 30 INTERMODEL DR. # 19-22, BRAMPTON, ON TEL:(905)-799-9770 FAX:(905)-799-9771			
566SXS	7.50"	3.44"	14.38"	6.38"	7.56"	40 HP	<small>TOLERANCES ARE AS FOLLOWS UNLESS NOTED OTHERWISE</small> 1 DEC PLACE ±.015 2 DEC PLACES ±.010 3 DEC PLACES ±.005			
758SXS	11.50"	4.19"	19.75"	8.25"	8.56"	85 HP				
812SXS	15.00"	4.19"	23.38"	8.75"	8.75"	120HP	DRAWN BY: Mike.B	B DWG. NO. 566SXS-7512SXS	REV	
7512SXS	15.50"	4.19"	23.75"	8.75"	8.75"	120 HP	ISSUED:6/26/06	SCALE:N/A	WEIGHT:	SHEET 1 OF 1

5

4

3

2

1