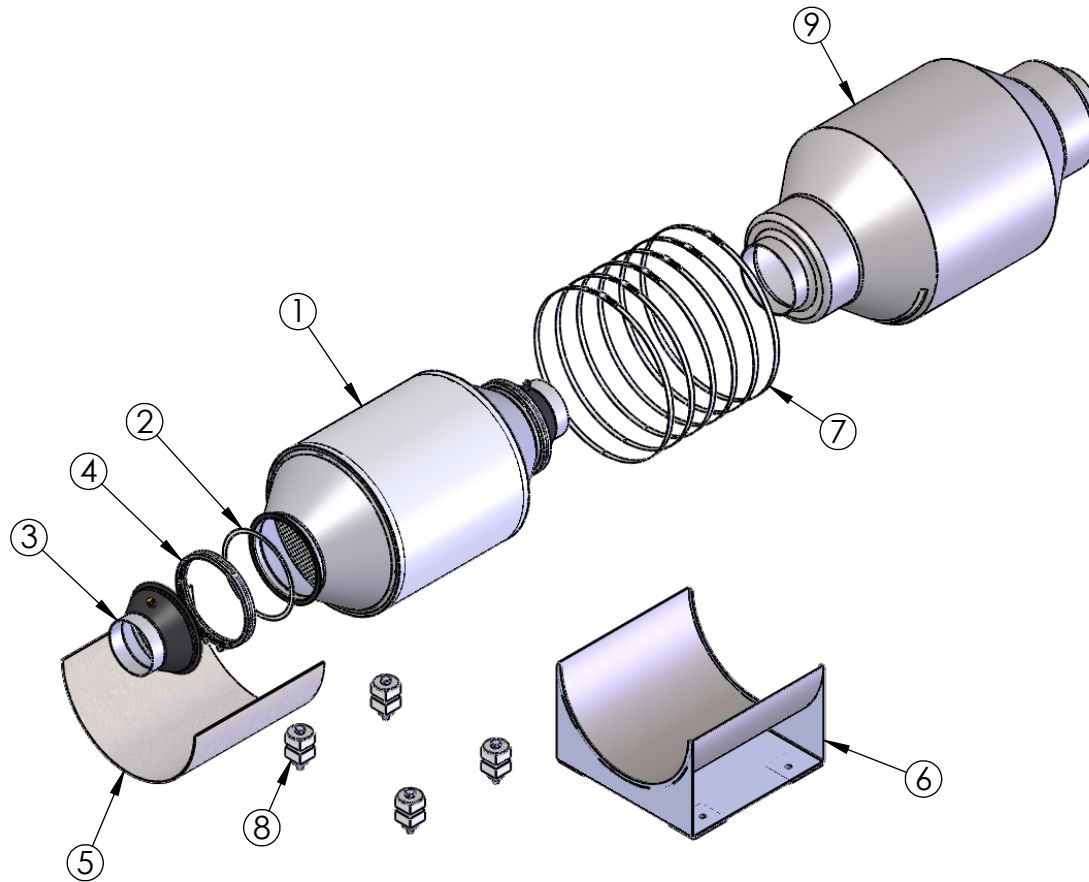


ITEM NO.	PART NUMBER	DESCRIPTION	QTY.
1	1515SXS-SC	DPF FILTER	1
2	8-100	8SX-F TO 16SX-F GASKET	2
3	8-150_A1-1001	8SX F STYLE END CONE W 1/8NPT	2
4	8-300	V BAND CLAMP	2
5	1515SXS-CPE400	THERMAL LAYER	1
6	CRADLE-001-1515	1515SXS CRADLE ASSEMBLY	1
7	GEAR CLAMP	GEAR CLAMP	6
8	CEP-221	METAL MESH ISOLATOR(OPTION B)	4
9	INSULATION BLANKET	INSULATION BLANKET	1



CATALYTIC EXHAUST PRODUCTS LIMITED

30 INTERMODEL DR. #19-22, BRAMPTON, ON
 TEL:(905)-799-9770 FAX:(905)-799-9771

TOLERANCES ARE AS FOLLOWS
UNLESS NOTED OTHERWISE
 1 DEC PLACE ±.015
 2 DEC PLACES ±.010
 3 DEC PLACES ±.005

**COMPONENTS
1515SXS WITH CRADLE**

MATERIAL:
SEE PARTS LIST

QTY:

GENERAL NOTES:

*PARTS TO BE CLEAN & FREE OF BURRS
 *BREAK ALL SHARP EDGES

DRAWN BY: Jose.C
 CHECKED BY:
 ISSUED:19/07/2012

DWG. NO. **A** 1515SXS WITH CRADLE
 SCALE:N/A WEIGHT: N/A SHEET 1 OF 1