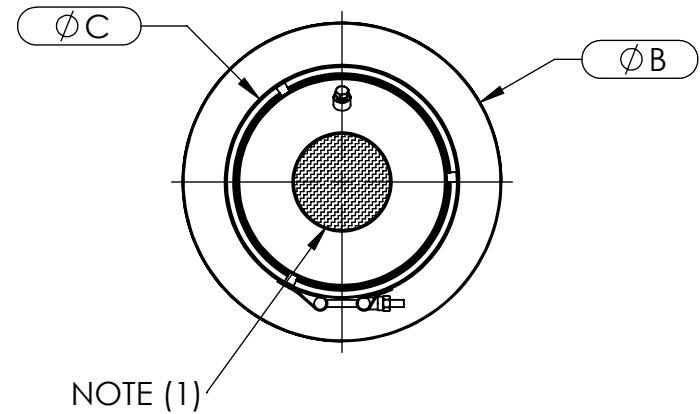
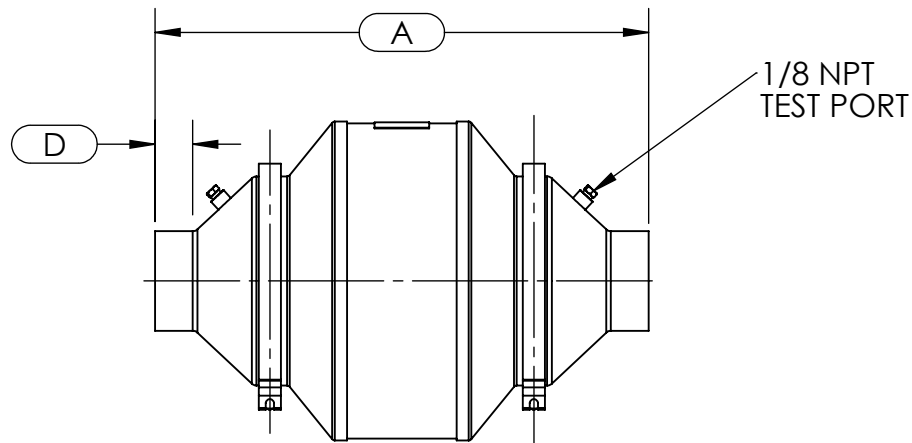
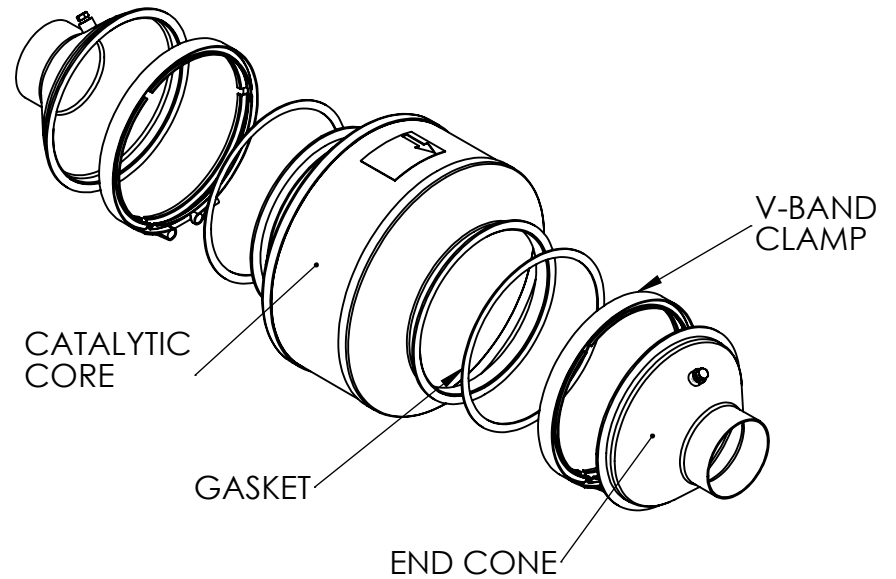


NOTES:

- (1) INLET AND OUTLET DIAM ARE AVAILABLE IN 2.50,2.75,3.00",3.5",4.0",4.50",5.00" AND 6.00"ID OTHER SIZES IN IMPERIAL,METRIC,NPT PIPE AND ANSI FLANGES ARE AVAILABLE UPON REQUEST.
- (2) FINISH: FLAT BLACK



CATALYTIC EXHAUST PRODUCTS LIMITED					
30 INTERMODEL DR. # 19-22, BRAMPTON, ON TEL:(905)-799-9770 FAX:(905)-799-9771					
MODEL	HP	A	Ø B	Ø C	D
10SXT-F	191-265 HP	18.00	10.00	8.56	1.25
12SXT-F	266-335 HP	18.00	11.60	8.56	1.25
14SXT-F	336-450 HP	20.8	13.00	8.56	1.25
16SXT-F	451-640 HP	20.8	15.00	8.56	1.25

<small>TOLERANCES ARE AS FOLLOWS UNLESS NOTED OTHERWISE</small>		MODEL 10SXT-F TO 16SXT-F DIMENSIONAL DETAIL	
1 DEC PLACE ±.015 2 DEC PLACES ±.010 3 DEC PLACES ±.005			
DRAWN BY: Jose C.	B	DWG. NO. 10SXT-F_16SXT-F	REV
ISSUED:05/10/2006		SCALE:N/A	WEIGHT: